

Illustration - Type - E

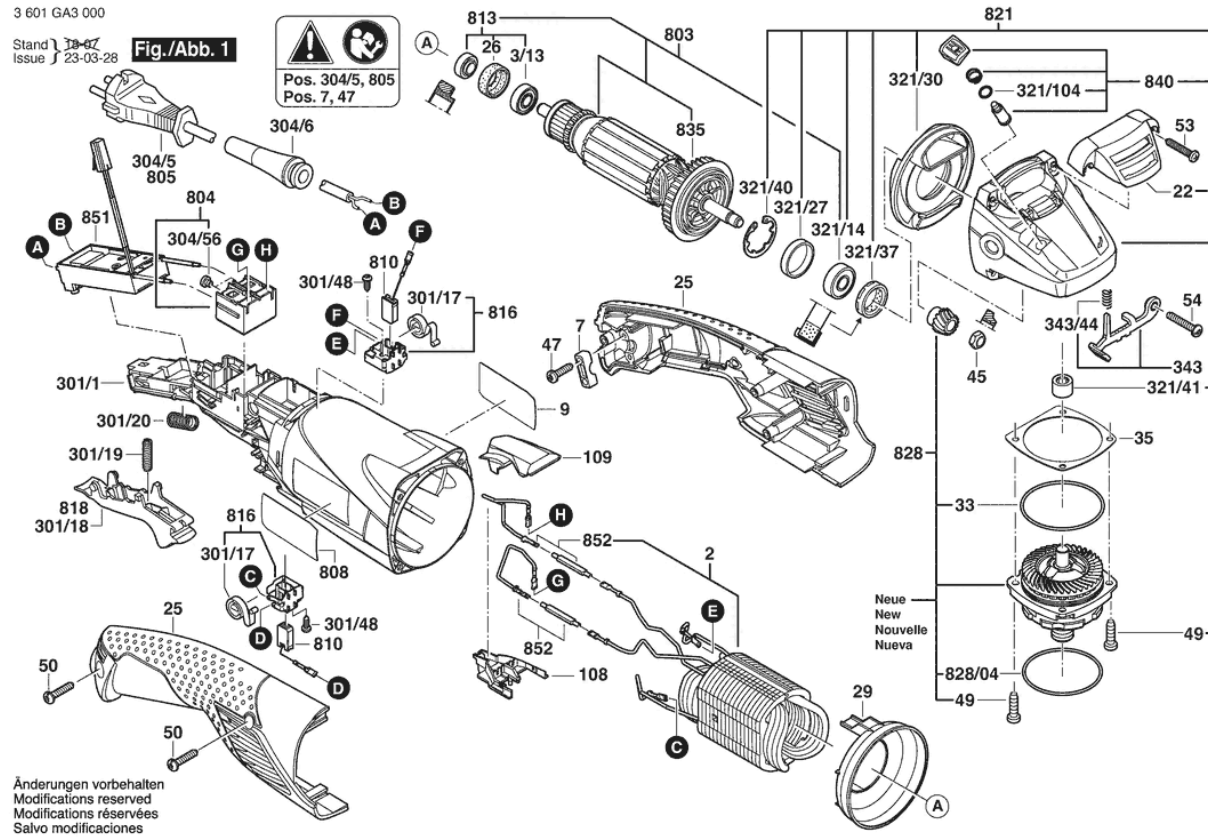
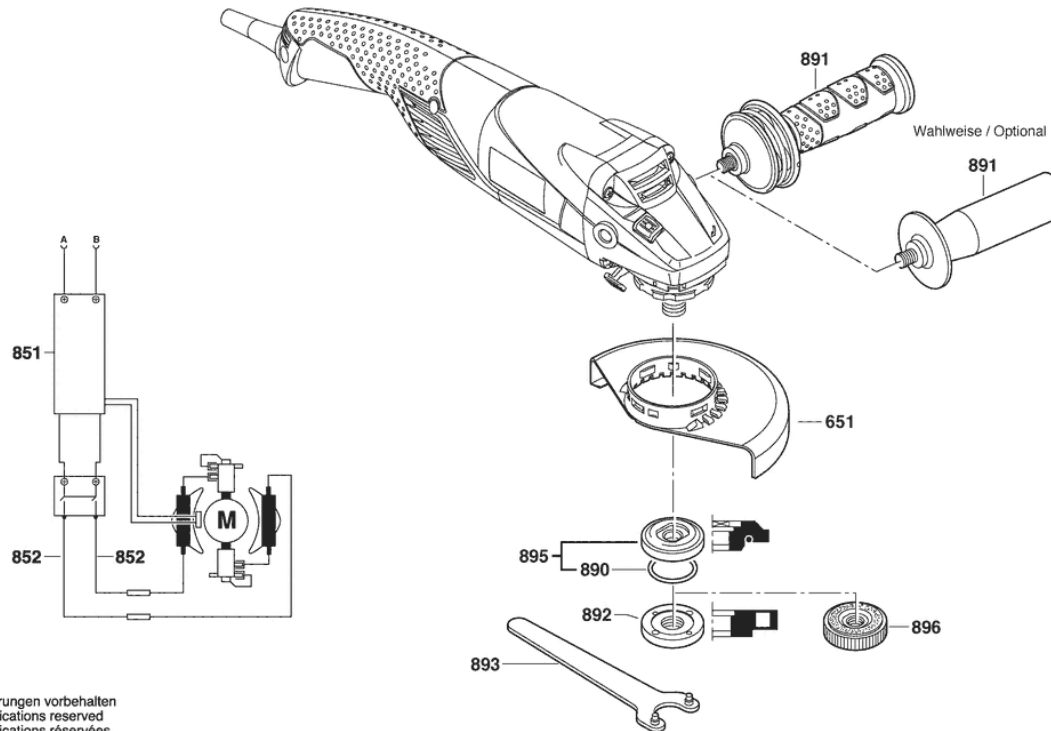


Illustration - Type - E

3 601 GA3 000

Stand } 18-02-06 Fig. /Abb. 2
Issue }



Änderungen vorbehalten
Modifications reserved
Modifications réservées
Salvo modificaciones

Spare parts list

Item	Part Number	Description	Illustration
2	1 604 220 56P	Field	1
3/13	2 600 905 032	Ball Bearing 7X19X6	1
7	2 601 035 001	Cable Clip	1
9	1 601 11C 2ET	Manufacturer's nameplate	1
22	1 605 500 260	Covering hood	1
25	1 605 132 010	Handle Cover BLUE	1
26	1 600 206 036	Rubber Ring	1
29	1 600 591 025	Air-Deflector Ring	1
33	1 600 210 035	O-Ring 46,0X1,1 MM	1
35	1 600 136 013	Shim 0,1 MM THICK	1
35	1 600 136 014	Shim 0,2 MM THICK	1
35	1 600 136 015	Shim 0,3 MM THICK	1
35	1 600 136 020	Shim 0,15 MM THICK	1
45	1 603 300 016	Hex Nut M7, SW10	1
47	2 603 490 022	Screw 4X16	1
49	1 603 435 08X	Thread-forming tap. Screw M4X16-ST W/ PRECOTE 85-3	1
50	2 603 490 023	Torx Oval-Head Screw 4X20	1
53	1 603 435 078	Torx Oval-Head Screw	1
54	1 603 414 026	Torx Oval-Head Screw 4X30	1
108	1 600 A00 XC4	Cover	1
109	1 605 500 263	Cover BLACK	1
301/1	1 605 108 2DR	Motor Housing	1
301/17	1 604 652 021	Spiral Spring	1
301/18	1 600 A00 XC7	Adjusting Slide	1
301/19	1 604 611 041	Compression Spring	1
301/20	3 604 611 039	Compression Spring	1
301/48	1 613 435 034	Lens Head Screw 3X10 ST	1
304/56	1 603 415 004	Lens Head Screw	1
304/6	1 600 703 040	Grommet	1
321/104	1 600 210 044	O-Ring 4,5X1,0 MM BLUE	1
321/14	1 600 905 032	groove ball bearing 8X22X7	1
321/27	1 600 206 025	Rubber Ring	1
321/30	1 600 591 014	Air-Deflector Ring	1
321/37	1 600 290 016	Rotary shaft lip seal	1

Spare parts list

Item	Part Number	Description	Illustration
321/40	1 600 119 011	Retaining clip	1
321/41	1 600 200 029	Plain bearing	1
343	1 607 000 742	Catch Lever	1
343/44	1 604 611 042	Compression Spring	1
803	1 604 010 B99	Armature	1
804	1 607 000 D16	On-Off Switch	1
805	1 607 000 391	Power supply cord	1
808	1 601 11A 3H3	Nameplate	1
810	1 604 321 186	Carbon Brush	1
813	1 607 000 378	Parts Set	1
816	1 607 000 V54	Brush Holder	1
821	1 607 000 D1F	Gear Housing	1
828	1 607 000 D63	Bearing Flange	1
828/04	3 600 210 109	O-Ring 47,0X1,5 MM	1
835	1 606 610 132	Fan	1
840	1 603 231 032	Push-Button	1
851	1 607 233 5M7	Speed governor	1
852	1 604 448 025	Connecting Cable	1
651	1 600 A02 5XT	Protective Cover	2
890	1 600 210 039	O-Ring 20,35X1,78 MM	2
891	1 602 025 09T	Auxiliary Handle	2
891	1 602 025 0A0	Auxiliary Handle	2
892	1 603 345 043	Round Nut M14	2
893	1 607 950 052	Pin-Type Face-Wrench	2
895	2 605 703 014	Clamping Flange Ø22,3XØ42 MM	2
896	1 600 A01 6PP	Fast Locking Flange	2